

**UC2577 Controls SEPIC Converter
for Automotive Applications**

by Jack Palczynski

The Single Ended Primary Inductance Converter (SEPIC) can convert an input voltage to an output voltage that is higher, lower or equal to the input. Conversion is performed without the use of expensive transformers, making this a good choice for low cost, non-isolated applications. The UC2577 provides the switch and control to take advantage of this topology with a minimum of additional parts.

The circuit shown in Figure 1 was designed to provide a 5V or 12V output from an input voltage ranging between 3V and 40V. The coupling capacitor is chosen to handle the high ripple current seen in this topology, with a peak-to-peak current of approxi-

mately $I_{IN} + I_{OUT}$. The converter switches at 52kHz and operates in both continuous inductor current mode (CCM) and discontinuous inductor current mode (DCM). Note that both the diode and the switch have a peak voltage stress of approximately $V_{IN} + V_{OUT}$, and peak current stress of approximately $I_{IN} + I_{OUT}$. Note that when the converter is in CCM, the ratio of $V_{OUT}/V_{IN} = D/(1-D)$ where D is the duty ratio. To calculate components for other inputs and outputs, assume CCM as a starting point and use about 1/2 max output current as a min value. For further details, consult Unitrode Design Note DN-48.

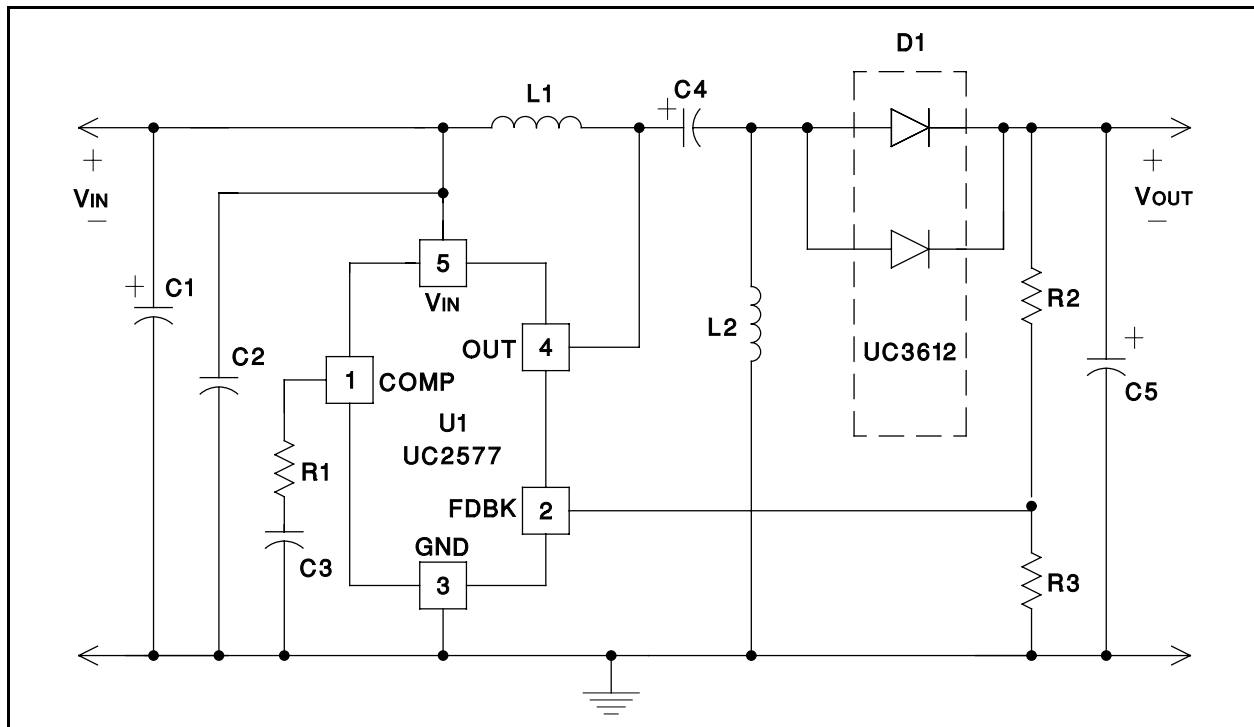


Figure 1. Easy SEPIC Converter Schematic

Parts List:

- U1 UC2577
- D1 UC3612 Dual Schottky
- L1,L2 100µH ECI # M1088
phone (413) 562-7684
- C1 47µF/50V Sprague 515D476M050AA6A
phone (207) 324-4140
- C2 0.1µF ceramic
- C3 0.47µF ceramic
- C4 220µF/50V Sprague 515D227M050CD6A
- C5 220µF/6V Sprague 595D227X9006D7
(5V output)
- * C5 12V output only, use four 68µF/16V
Sprague 293D686X0016D2T
- R1 100 ohm 1/8W
- R2 3.01k 1/8W
- R3 1k 1/8W (5V output)
- * R3 330 ohms 1/8W (12V output)
- * D2,3 UC3612 Dual Schottky
(Extended Operating Range)

Efficiency was measured for the 5V (Figure 2) and 12V (Figure 3) output at two power levels for the full range of Automotive input voltages.

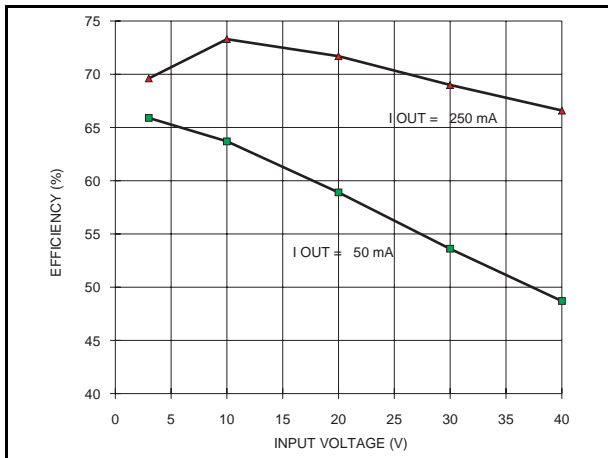


Figure 2: 5V Converter Efficiency vs Input Voltage

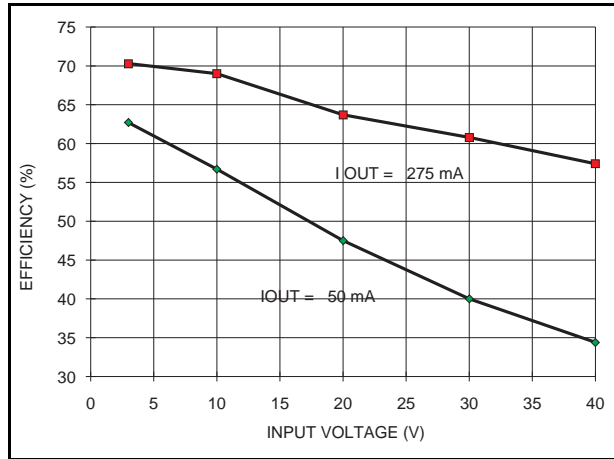


Figure 3: 12V Converter Efficiency vs Input Voltage

As seen in Figure one, a simple design is used to convert power for automotive applications. If longer hold up times are needed or operation at low input voltages demanded, the circuit in Figure 4 may become useful. By adding two diodes, the output voltage bootstraps the IC and allows operation even after the input voltage drops below the operating range of the IC.

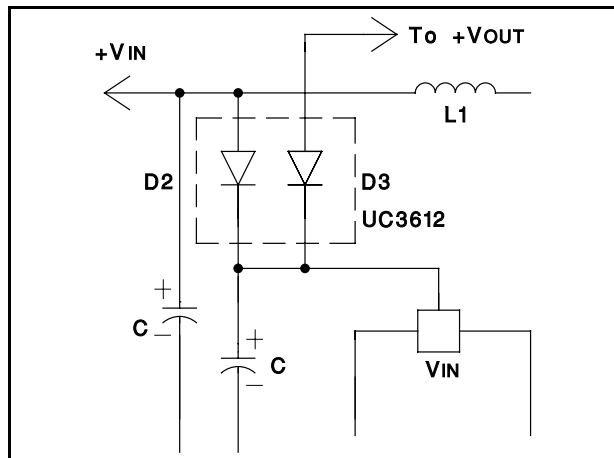


Figure 4: Extending Operation Range

IMPORTANT NOTICE

Texas Instruments and its subsidiaries (TI) reserve the right to make changes to their products or to discontinue any product or service without notice, and advise customers to obtain the latest version of relevant information to verify, before placing orders, that information being relied on is current and complete. All products are sold subject to the terms and conditions of sale supplied at the time of order acknowledgement, including those pertaining to warranty, patent infringement, and limitation of liability.

TI warrants performance of its semiconductor products to the specifications applicable at the time of sale in accordance with TI's standard warranty. Testing and other quality control techniques are utilized to the extent TI deems necessary to support this warranty. Specific testing of all parameters of each device is not necessarily performed, except those mandated by government requirements.

CERTAIN APPLICATIONS USING SEMICONDUCTOR PRODUCTS MAY INVOLVE POTENTIAL RISKS OF DEATH, PERSONAL INJURY, OR SEVERE PROPERTY OR ENVIRONMENTAL DAMAGE ("CRITICAL APPLICATIONS"). TI SEMICONDUCTOR PRODUCTS ARE NOT DESIGNED, AUTHORIZED, OR WARRANTED TO BE SUITABLE FOR USE IN LIFE-SUPPORT DEVICES OR SYSTEMS OR OTHER CRITICAL APPLICATIONS. INCLUSION OF TI PRODUCTS IN SUCH APPLICATIONS IS UNDERSTOOD TO BE FULLY AT THE CUSTOMER'S RISK.

In order to minimize risks associated with the customer's applications, adequate design and operating safeguards must be provided by the customer to minimize inherent or procedural hazards.

TI assumes no liability for applications assistance or customer product design. TI does not warrant or represent that any license, either express or implied, is granted under any patent right, copyright, mask work right, or other intellectual property right of TI covering or relating to any combination, machine, or process in which such semiconductor products or services might be or are used. TI's publication of information regarding any third party's products or services does not constitute TI's approval, warranty or endorsement thereof.